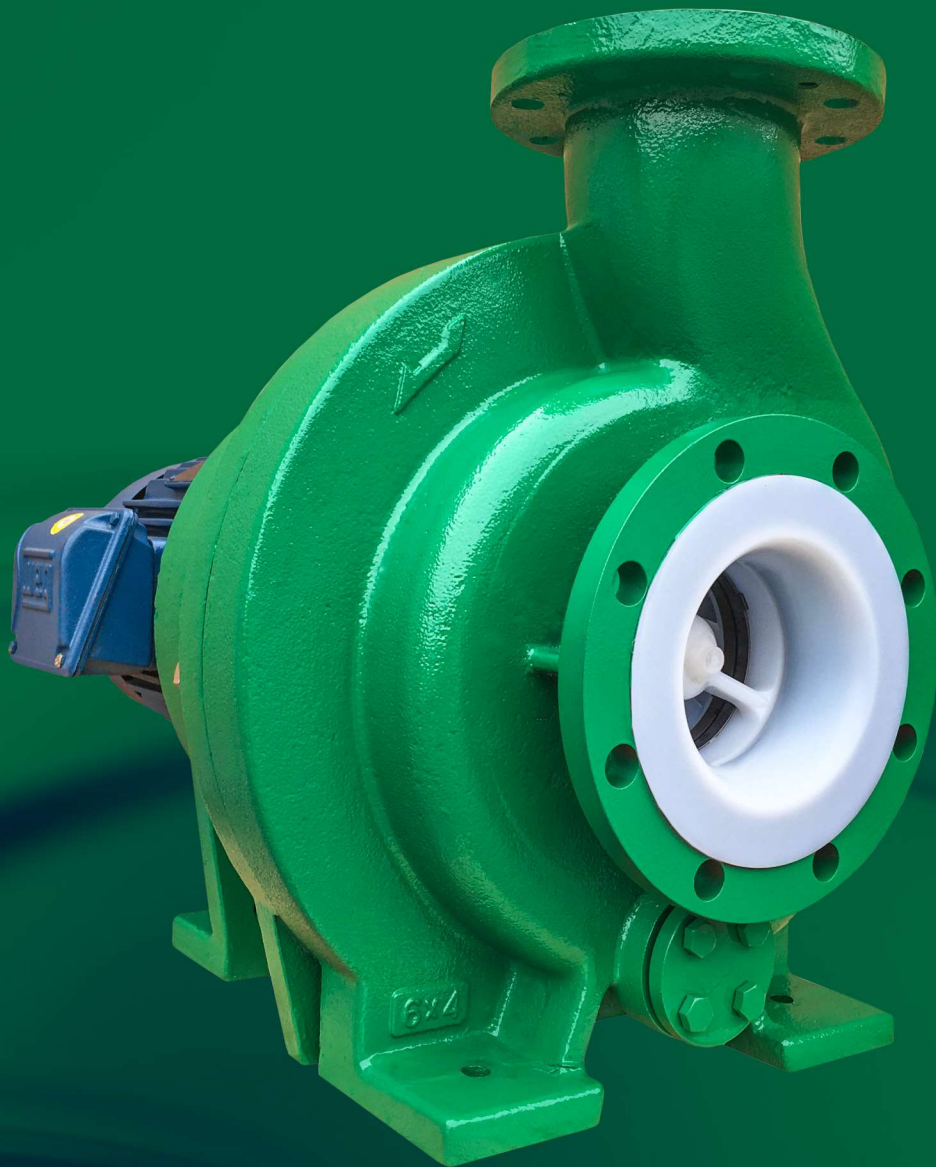




**PFA Lined MTA Series
ANSI Pumps**





Magnetic Drive PFA lined Pumps
MAGNATEX® MTA Series

Magnatex: Textel MTA Series Sealless, ANSI mag-drive pumps feature a transfer molded, mechanically attached Virgin PFA lining moulded @1200 psi that is thicker, more uniform and much less porous than our competitors' roto-molded linings, which means MTA pumps have a significantly longer service life than the competition. MTA Series pumps conform to ANSI B73.3 standards. Sealless design helps eliminate "Reportable Release" issues. Ideal for almost all industrial chemical applications including high purity and elevated temperature applications. Our pumps offer many enhanced characteristics when compared to the competition (see below). Sealless design helps eliminate "Reportable Release" issues.

All Magnatex® pumps and spare parts come with a **1-year unconditional** warranty on materials and workmanship.



Transfer-compression molding allows positive, interlocking casing linings 5-6 mm thick that stay in place; ideal for vacuum and higher-temperature applications.

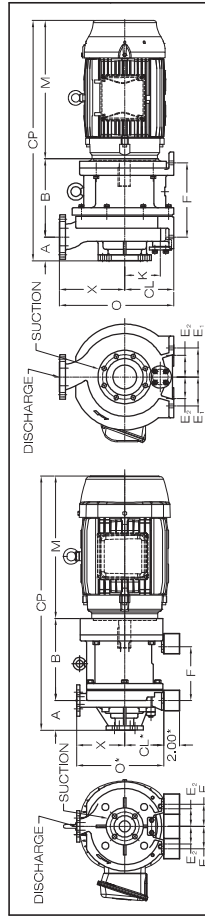
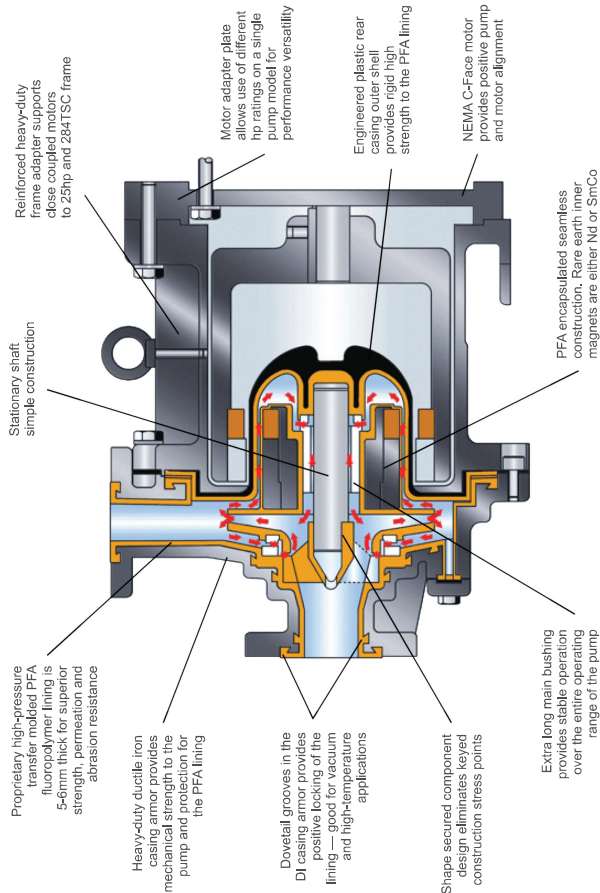
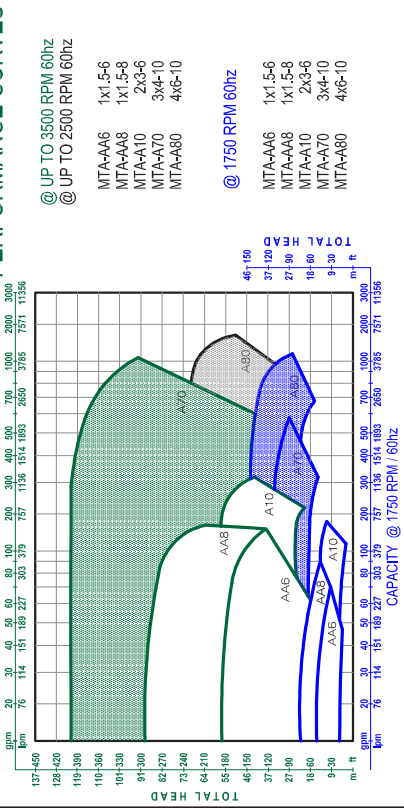
Materials of Construction:

- PFA Lined

MAGNATEX® MTA Series Specifications

Maximum Flow	1,000 GPM
Maximum Head	285 FT
Liquid Temperature	32°F to 250°F
Maximum Power	25 HP
Connections	150lb RF Flanges
Bearing	CP-TFEE, CP-TFEE, SIC, Carbon
Shaft	SIC
Working Pressure	150 psig
Impeller	Embedded
Speeds	up to 3550 rpm
Magnets	Neodymium or Samarium Cobalt
Motor	NEMA or IEC Frame Mounted

MTA SERIES COMPOSITE PERFORMANCE CURVES



STANDARD FT CONDUIT BOX SHOWN FOR ILLUSTRATION ONLY. OTHER LOCATION MUST BE SPECIFIED.

MODEL	DIMENSIONS (ALL DIMENSIONS IN INCHES ± 0.12)												NOT FOR CONSTRUCTION			
	S	D	A	B	E ₁	E ₂	F	K	X	CL	O	PUMP LBS	MOTOR FRAME	M	CP	MTR LBS
MTA-AA6	1.50	1.00	4.00	9.96	3.00	-	7.55	-	6.50	5.25	11.75	231	1435TC	11.11	25.07	51
MTA-AA8				11.06								238	2135TC	13.11	27.07	93
													2846TSC	16.14	30.10	172
													2846TSC	20.95	36.01	344
													1435TC	23.31	38.37	474
													1435TC	11.11	25.35	51
													1824TC	13.11	27.35	93
													2135TC	16.14	30.38	172
													2846TSC	20.95	35.19	344
													2846TSC	23.31	37.55	474
													2135TC	16.14	32.48	172
													2546TC	20.95	37.51	344
													2846TC	23.31	40.50	474
													3246TC	26.87	43.69	584
													2546TC	20.95	37.52	344
													2846TC	23.31	40.50	474
													3246TC	26.87	43.69	584

MAGNATEX® MTA Series Competition Comparison

Magnatex	Competition
<p>High pressure Texel® transfer molding process (TTP) @1200 psi produces a lining with a dense, uniform thickness and superior surface finish, all of which contribute to superior service life in demanding chemical services. High pressure molding also eliminates any air pockets between the casing lining and armoring, which is critical in high temperature services.</p> <p>Magnatex PFA linings are 5-6 mm thick and therefore will last longer in service than thinner ones of the same material and even longer when compared to the ETFE and PVDF linings offered by most of our competitors.</p> <p>Texel® transfer molding process (TTP) @ 1200 psi produces a positive locking of the lining material and prevents lining movement in high vacuum or low suction pressure applications.</p>	<p>Competitors use a cheaper, atmospheric pressure, rotomolding process which results in a thinner, less dense, more permeable lining material with a less uniform surface finish. Rotomolded linings may have air bubbles trapped between the casing and armor which can lead to cracked linings in high temperature applications.</p> <p>Most competitors' linings are just 3-4 mm thick which means they have proportionately less corrosion and permeation resistance than Magnatex lined pumps.</p> <p>Most competitors have no mechanical means of restraining the casing liner which can result in lining movement in high vacuum or low suction pressure applications. Shifting or movement of the lining may result in linings collapsing onto the internal rotating elements which can lead to catastrophic failure of the pump.</p>
<p>PFA offers the broadest range of resistance to chemical attack, lowest permeation rate and highest temperature capability of all the fluoropolymer materials, which ensures the maximum possible service life for lined magnetic drive pumps.</p> <p>The extra long main shaft bushing provides greater stability for operation across the entire hydraulic range of the pump, with smooth, quiet operation and extremely low vibration. Greater shaft support surface area means lower hydraulic loading, less wear and longer service life.</p> <p>Completely seamless inner magnet lining which eliminates any potential leak path for the process fluid to reach and attack the inner magnets.</p>	<p>Generally only available in cheaper ETFE (Ethylentetrafluoroethylene) material which has less chemical resistance, higher permeability and lower temperature resistance than PFA.</p> <p>Competitors generally offer shorter main shaft bushings resulting in a smaller surface area to support dynamic shaft loads. Less bushing surface area leads to shorter pump life.</p> <p>Most competitors have seams in the inner magnet lining that can allow aggressive chemicals to penetrate the lining which causes the magnet segments to swell and corrode, which can lead to catastrophic failure of the pump.</p>

Enhanced Features of PFA Lined MTA Series NASI Pumps

- Virgin PFA (Perfluoroalkoxy alkanes) is a high strength, high temperature and abrasion resistant fluoropolymer material.
- Extra long main shaft bushing.
- Proprietary high pressure, 1200 psi, Texel® transfer molding process (TTP) ensures low porosity compared to our competitors' rotomolded linings.
- Standard lining thickness is 5-6 mm.
- Completely seamless inner magnet lining.
- PFA lining is mechanically secured to the ductile iron casing armoring by means of recessed dovetails which are cast into the ductile iron casing armor (see cutaway picture above).
- Pumps In Stock, Ready to Quick Ship

Typical Services and Applications

- Acetic Acid
- Ethers
- Acetone
- Ferric Chloride
- Amines
- Freon 113
- Bromine
- Hot Acids
- Carbon Tetrachloride
- Hydrochloric Acid
- Chlorinated Brine
- Hydrofluoric Acid
- Chlorinated Hydrocarbons
- Nitric Acid
- Chlorinated Solvents
- Pickling Acid
- Chlorine Dioxide
- Plating Acid
- Chloroform
- Sodium Hypochlorite
- Dichloroethylene





3575 West 12th Street
Houston, TX 77008
713-972-8666 or 1-800-624-7867
MagnatexPumps.com