

JAEGER-OxyTube™

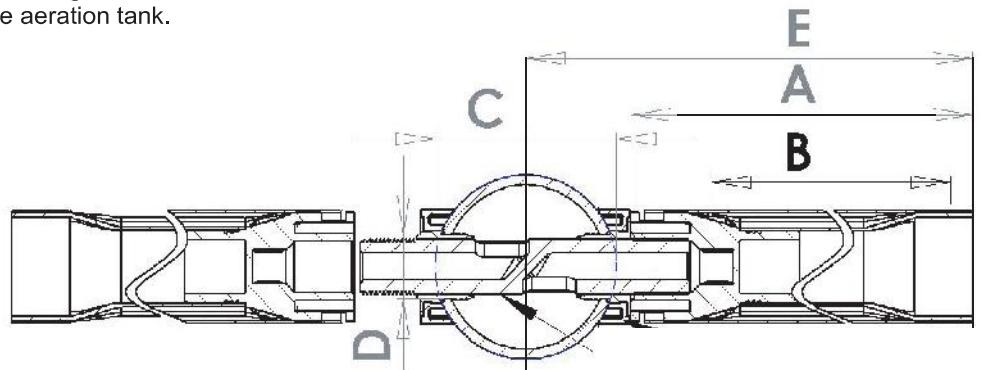
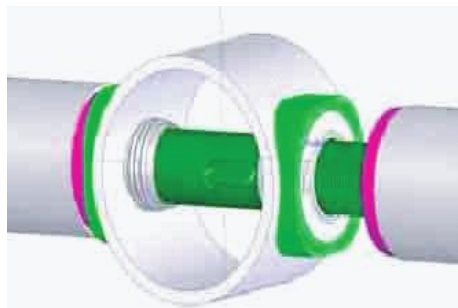
OT 632/100 FF World Diffuser
Efficiency, Utility & Reliability



The **OxyTube™ OT 63/2000 FF Tube Diffuser Series** [patented] is designed and manufactured by **Gummi-Jaeger AERATION LLC**. It is among the most advanced fine bubble aeration devices available to the waste water treatment industry. It combines highest oxygen transfer efficiency, low energy usage, rugged design, low shipping and installation cost in compact packaging. It covers **Oxygen Transfer Efficiency & Design Air Flow Range** per diffuser equivalent to conventional 60mm/2" Ø to 90mm/3" Ø diffuser models all in one **Unique Design**. It protects high performance diffuser membranes materials by its patented **JAEGER Fatigue Free (FF)** design. This makes it especially suitable for **intermittent aeration applications** like **SBR** and others but not limited to. **OxyTube™ OT 63/2000 FF Tube Diffuser Series** is available with the perforation lengths of 1000 mm, 750 mm and 500 mm (39.4", 29.5", 19.7") for municipal and industrial* Waste Water Treatment (WWT) applications.

Gummi- Jaeger AERATION LLC is the waste water treatment industries pioneer of EPDM fine bubble membrane diffusers. We created the **world's first fine bubble rubber membrane diffuser** in **1975**. In the **United States** and **worldwide**, customers have benefited from **Gummi-Jaeger wastewater diffuser products since the early 1980s**. Gummi-Jaeger was instrumental in the initial design, rubber chemistry, perforation patterns for high SOTE of the majority of today's well know fine bubble diffuser suppliers. **Gummi-Jaeger AERATION LLC** is a third generation business and originated in Germany. **We produce domestically here in Colorado USA since 1994** membranes, assemblies, and components for original equipment manufacturers (OEMs) and supply **fine bubble aeration equipment solutions** to **municipalities** and **industrial clients** up to the top of the aeration tank. We are the industry's only full line supplier who offers **fine bubble membrane disc, tubular, and strip diffusers / aerators** equipped with **EPDM, Silicone** or **Polyurethane membrane materials**.

Gummi-Jaeger Aeration LLC and its **Distributors** offer advanced fine bubble aeration solutions including mass transfer calculations, basin and lateral pipe system design, fine bubble membrane and coarse bubble diffuser, stainless and PVC lateral piping and header pipes up to the top of the aeration tank.



JAEGER OxyTube™ OT 63/2100 FF Series Tube Diffuser - Dimensions

OxyTube™ Type	Perforation Length Dim. B [mm]	Total length* A [mm]	Span from center header Pipe Dim. E [mm]	Tube Diameter [mm]	ID-Sleeve** [mm]	Perforated area [m ²]	Total weight [kg]
OT63/2100 FF	1,000	1,050	1,190	63	65	0,18	1,3
OT63/2075 FF	750	810	940	63	65	0,135	1,1
OT63/2050 FF	500	560	690	63	65	0,09	0,8

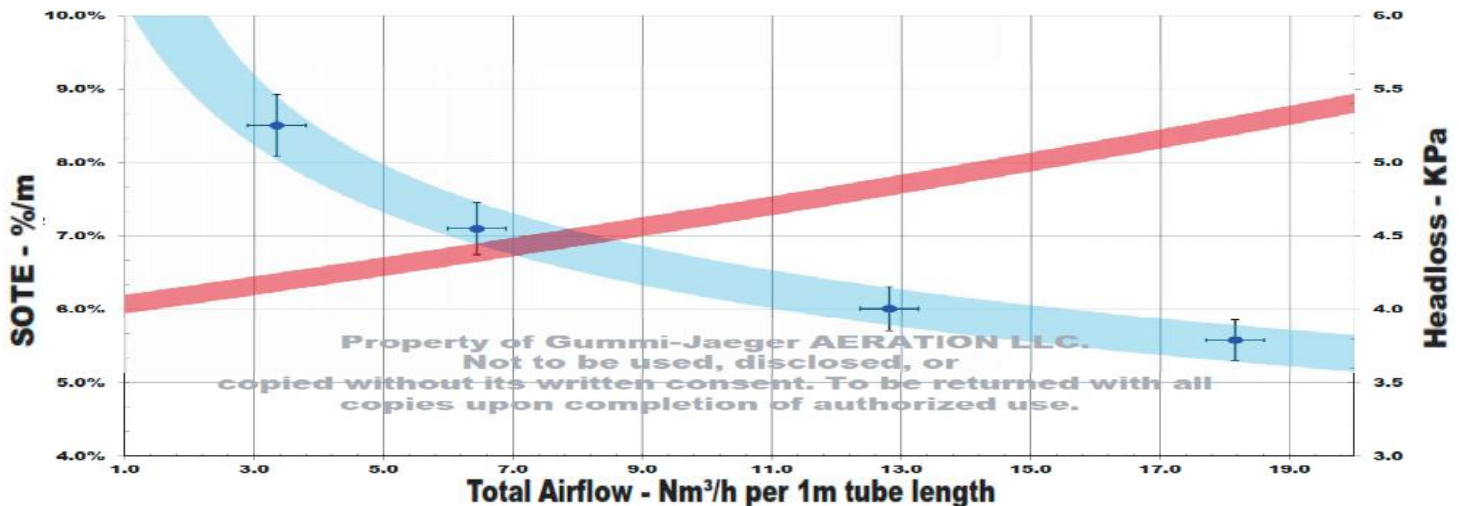
JAEGER OxyTube™ OT 63/2100 FF - 3"- 4"Saddle, Seals & 1 ¼" Connector/Header Pipe Connection:

The **OxyTube™** – OT 63/2000 FF Tube Diffuser Series connects to 4" schedule 40 PVC (recommended) or sched 10 Stainless Steel pipe with the **OxyTube™** OT 63 4" Saddle (patented) & ¾" NPT (Max. length 750 mm) or **OxyTube™** 1 ¼" Connector (patented) or to various square tubes – Connector specification table on request.

JAEGER OxyTube™ OT 63/2100 FF - recommended airflow rate per diffuser

OxyTube™ - OT Type	Recommended Operating Range* [Nm ³ /h]	Max. allowable short term peak flow (bumping) [N m ³ /h] – do not exceed 10 min. per bumping / cleaning cycle
OT 63/2100 FF	4-12 [2.4 – 8.0 SCFM]	≤ 20 [12.0 SCFM]
OT 63/2075 FF	3-9 [1.8 – 6.0 SCFM]	≤ 15 [9.0 SCFM]
OT 63/2050 FF	2-6 [1.2 – 4.0 SCFM]	≤ 10 [6.0 SCFM]

JAEGER OxyTube™ OT 63/2100 FF Series Tube Diffuser SOTE and Headloss Curves



SOTE curves for reference and benchmark SOTE test comparing JAEGER Oxy****™ diffusers to select competitors' models are available on special request. SOTE is subject to tank geometry, diffusers submergence depth, diffuser density and other factors. Contact Gummi-Jaeger AERATION LLC representative for specific fine bubble aeration system layout and application engineering questions.

JAEGER OxyTube™ OT 63/2100 FF Tube Diffuser Sleeve Membrane Materials

	Standard Material	Municipal / Industrial / non-standard WWT Applications	Industrial / non standard WWT Applications
Gummi-Jaeger WWT OxyTube™ OT compound names	EPDM GJ73AER12	G-J PU Flex	GJ SI Silicone
Base Polymer	EPDM	Polyurethane	SI
Color	Black	white	white
Wall thickness [mm]	1.9 +/- 0.2	1.4 +/- 0.2	1.5 +/- 0.2
Operating temperature range*	5° C to 60° C [41° F - 140° F]	5° C to 50° C [41° F -122° F]	5° C to 80° C [41° F -180° F]
Suitable for Waste Water Treatment Applications (WWT)	Municipal & industrial*) WWT	Municipal & industrial*) WWT facilities with high load of oils, greases, fats, hydrocarbons;	Municipal & industrial*) WWT facilities with high load of oils, greases, fats, hydrocarbons;
Customer product selection guide	Standard municipal WWT (is offered with above complete assembly part no.)	Special request*) material only sold factory assembled on OxyTube™ OT 63/2000 FF Series	Special request*) material only sold factory assembled on OxyTube™ OT 63/2000 FF Series
Operating Mode	Permanent / Intermittent Aeration	Permanent / Intermittent*) Aeration	Permanent / Intermittent*) Aeration

Gummi-Jaeger AERATION LLC Distributor



Gummi-Jaeger AERATION LLC, USA
4175 Mulligan Dr.
Longmont, CO 80504 U.S.A.
Phone: +1-970-535-0554
Fax: +1-970-535-0945
info@jaeger-aeration.com
www.jaeger-aeration.com

Disclaimer: This information is based on our present state of knowledge and is intended to provide general notes on our products and their uses. It should not therefore be construed as guaranteeing specific properties of the products described or their suitability for a particular application. Any existing industrial property rights must be observed. The quality of our products is guaranteed under our General Conditions of Sale.