

ROTO-JET® PUMP

High Pressure Pitot Tube Pumps

Model R0
Oil Lubricated



High Pressure Single-Stage Centrifugal Pump With Advanced Pitot Tube Technology

Advanced Design

- High-pressure without high speed
- Flexible: performance can be adjusted by changing the pitot tube
- Simple: only two basic working parts

Dependable Performance

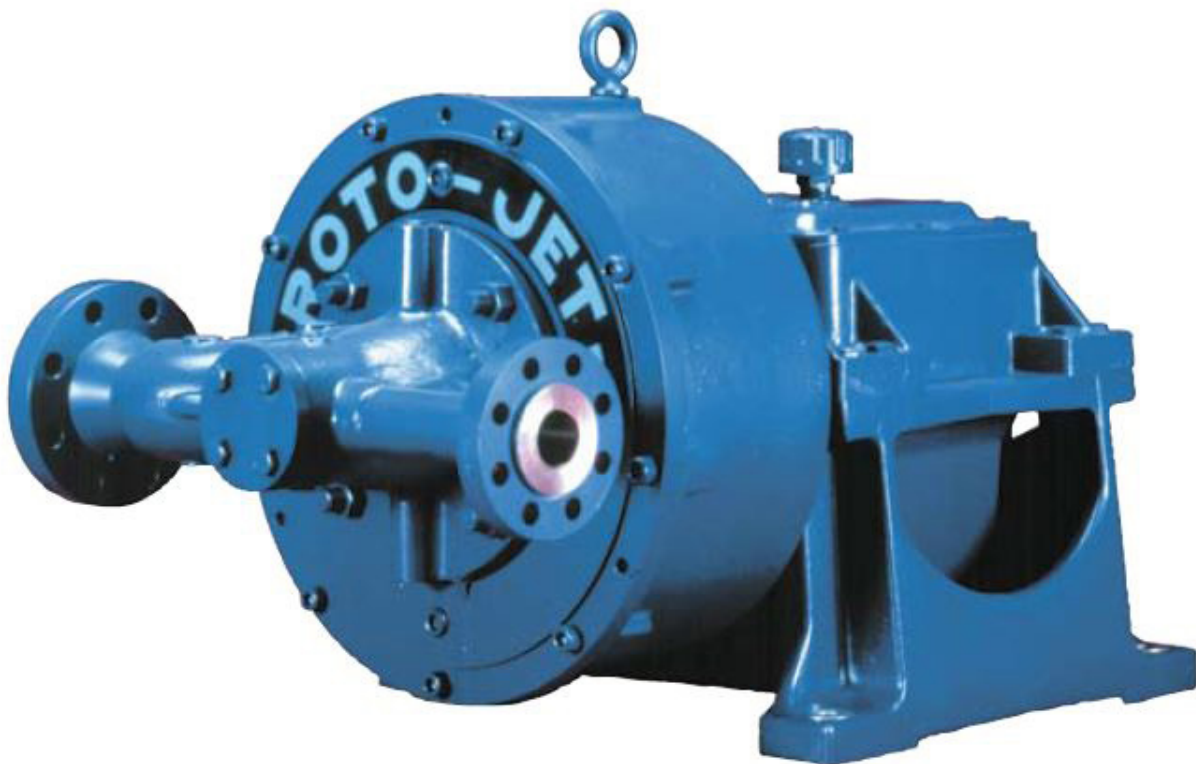
- Hydraulically stable along the entire performance curve and beyond BEP
- Low minimum flow requirement
- Rugged design - most reliable high-pressure pump in the marketplace

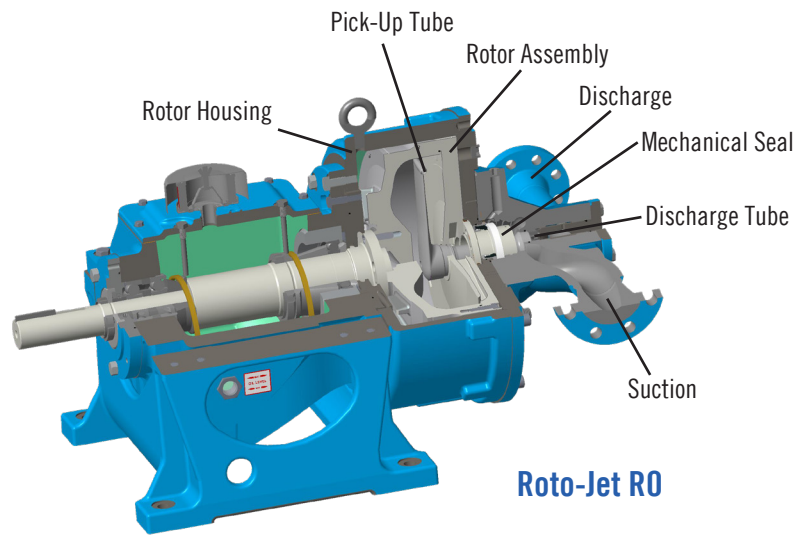
Enhanced Reliability

- Smooth, pulsation-free flow
- Low-pressure mechanical seal is easily maintained
- Isolated bearing pedestal to minimize risk of bearing contamination

R0 Pump Features

- API design available
- Single or double mechanical seal
- Threaded or flanged connections
- Oil lubricated bearings

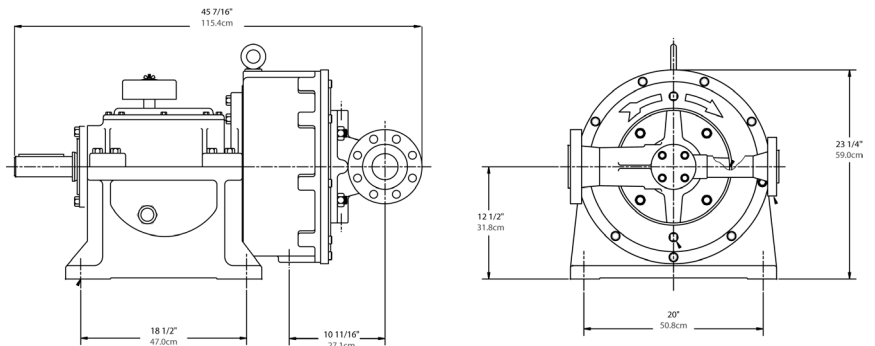




Roto-Jet RO

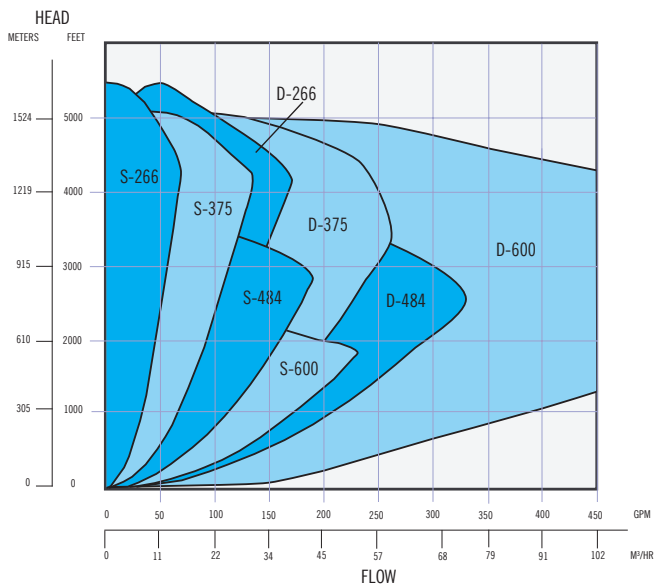
Typical Roto-Jet Model RO Applications

- Food and beverage cleaning systems
- Reverse osmosis systems
- Automotive gun drilling coolant
- Spraying / washing systems
- High-pressure paper shower
- Circuit board wash systems
- Water / process injection systems
- Seal flushing systems
- Boiler feed / cleaning systems



Dimensions are for general reference only and will vary with actual model selected

Operating Range



Specifications	RO	High Speed Option
Maximum temperature	250° F 121° C	250° F 121° C
Maximum temperature (with Flush)	550° F 288° C	550° F 288° C
Maximum suction pressure	400 PSI 28 BAR	300 PSI 21 BAR
Maximum head	2600 Ft 792m	5200 Ft 1585m
Maximum speed	4380 RPM	6321 RPM
Maximum flow	450 GPM 102 m3/hr	600 GPM 136 m3/hr
Maximum horsepower	400 HP 300 KW	600 HP 447 KW
Weight	1200 lbs 544 kg	1200 lbs 544 kg

Materials of Construction		
Rotor*	Carbon steel 316 SS	CA 6NM CD4 MCu
Rotor cover	Carbon steel 316 SS	CA 6NM CD4 MCu
Manifold*	Carbon steel 316 SS	Carbon steel 316 SS
Endbell	Carbon steel Carbon steel	Carbon steel Carbon steel
Pick-up tube**	17-4 PH 17-4 PH	17-4 PH 17-4 PH
Shaft	AISI 4140 AISI 4140	AISI 4140 AISI 4140

* Also available in Ductile Iron and Hastelloy C

SS = Stainless Steel

** Also available in 718 Inconel

Trillium Pumps USA SLC

440 West 800 South
Salt Lake City, UT 84101
USA

Tel: 801 359 8731
Fax: 801 530 7828
email: rotojet@trilliumflow.com
www.trilliumflow.com

